



MAYTAG ENGINEERED  
MAYTAG BUILT  
MAYTAG® MULTI-LOAD

INTRODUCING THE MULTI-LOAD WASHER



FOR ON-PREMISES LAUNDRY

# EXPERIENCE COMPLETE CONTROL

Equipped with customizable settings designed to increase efficiency – our machines are built to help keep your operation running at full speed.

## PROGRAMMABILITY

Ensure every load is washed the way you want – every time – and optimize your laundry workflow with system configurations that reinforce timeliness and efficiency.



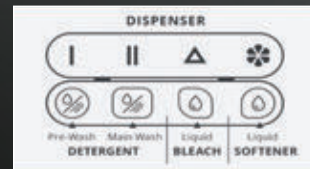
## CYCLE SETTINGS

With the ability to program up to 99 cycles, each with up to 99 phases, you have the flexibility to customize wash cycles, from formulas to spin time, all to fit your process needs.



## MULTILINGUAL LANGUAGE OPTIONS

Users are able to choose from multiple language options to ensure they can conveniently navigate each machine.



## DETERGENT AND SOLUTIONS SETTINGS

Determine which detergents and solutions are used during every cycle – and program them to release on time, and in correct amounts, with our split-lid, four-compartment dispenser.

# CONNECTED FOR EFFICIENCY

Maytag Connect 360™ Technology\* keeps you up to date with the performance of every machine – to help ensure your operation is running efficiently at all times.

## MAYTAG CONNECT 360™ TECHNOLOGY

With a WiFi-enabled system, Maytag Connect 360™ Technology\* gives facility managers the ability to know how their washers are performing, in real-time. Our intuitively designed software provides diagnostic reports, maintenance notifications, and software updates – to help keep each machine working at full capacity.



## POWERFUL ONLINE TOOLS

Receive select diagnostics and alerts for preventative maintenance, and make program changes remotely – via WiFi – or onsite with our USB port.



## SERVICE NOTIFICATIONS

Receive alerts for service and maintenance issues – to help identify where the problem exists, so technicians can come prepared to repair the washer in timely fashion.



## OVER-THE-AIR UPDATES

Software upgrades can be made automatically through the WiFi-enabled board or with USB port– keeping every machine constantly updated with the latest technology from Maytag.



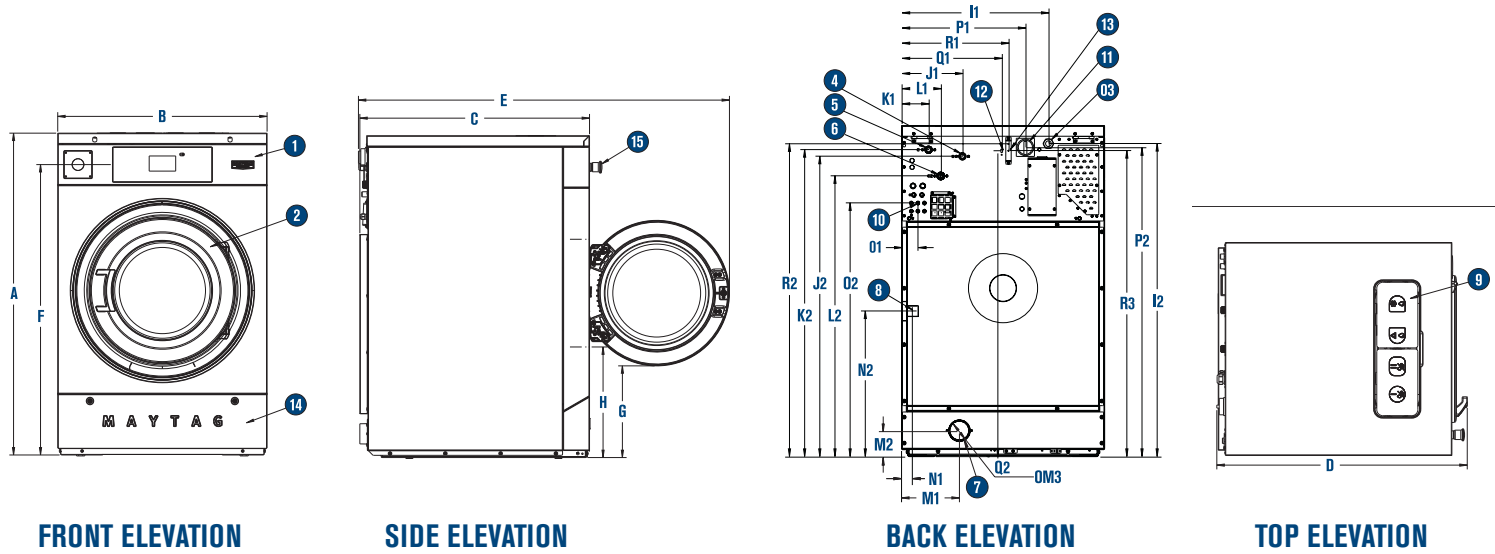
## 24/7 ACCESS TO INSIGHTS

Conveniently access every machine's diagnostic reports – to better understand, prevent, and solve performance issues, for operational efficiency.



\*WiFi required. Features subject to change. Details and privacy info at [connect360.maytag.com](http://connect360.maytag.com).

# SOFT-MOUNT SPECIFICATIONS



## DIAGRAM KEY

- 1 Control Console
- 2 Loading Door
- 3 Electric Connection
- 4 Hot Water
- 5 Cold Water
- 6 Third Water
- 7 Drain
- 8 Steam Connection
- 9 Soap Dispenser
- 10 Automatic Liquid Soap Manifold
- 11 Electric Disconnect
- 12 USB
- 13 Fuses
- 14 Toe Panel
- 15 Stop Switch

		A	B	C	D	E	F	G	H	I1	I2	J1	J2	K1	K2	L1	L2	M1	M2	OM3	N1	N2	O1	O2	P1	P2	Q1	Q2	R1	R2	R3
20S	MM	1112	711	720	781	1170	993	353	423	502	1048	225	1003	101	1028	146	930	229	90	70	N/A	N/A	70	826	419	1035	330	1023	355	1048	1023
	INCH	43 3/4	28	28 3/4	30 3/4	46	39 1/4	13 3/4	16 3/4	19 3/4	41 1/4	8 1/2	39 1/2	4	40 1/2	5 3/4	36 3/4	9	3 1/2	2 3/4	N/A	N/A	2 3/4	32 1/2	16 1/2	40 3/4	13	40 3/4	14	41 1/4	40 3/4
30S	MM	1222	794	872	935	1409	1103	348	420	588	1159	225	1112	101	1137	146	1041	229	90	70	N/A	N/A	70	936	502	1146	416	1133	441	1159	1133
	INCH	48 1/4	31 1/4	34 1/4	36 3/4	55 1/2	43 3/4	13 3/4	16 1/2	23 1/4	45 3/4	8 1/2	43 3/4	4	44 3/4	5 3/4	41	9	3 1/2	2 3/4	N/A	N/A	2 3/4	36 3/4	19 3/4	45 3/4	16 3/4	44 3/4	17 3/4	45 3/4	44 3/4
40S	MM	1410	970	901	954	1477	1290	475	546	657	1347	300	1228	175	1324	175	1228	270	111	70	63	698	70	1094	572	1334	486	1321	511	1347	1321
	INCH	55 1/2	38 1/4	35 1/2	37 1/2	58 1/4	50 3/4	18 3/4	21 1/2	25 3/4	53	11 3/4	48 3/4	6 3/4	52 1/4	6 3/4	48 3/4	10 3/4	4 3/4	2 3/4	2 1/2	27 1/2	2 3/4	43 3/4	22 1/2	52 1/2	19 3/4	52	20 3/4	53	52
55S	MM	1410	970	1036	1100	1624	1290	475	546	657	1347	300	1228	175	1324	175	1228	270	111	70	63	698	70	1094	572	1334	486	1321	511	1347	1321
	INCH	55 1/2	38 1/4	40 3/4	43 3/4	64	50 3/4	18 3/4	21 1/2	25 3/4	53	11 3/4	48 3/4	6 3/4	52 1/4	6 3/4	48 3/4	10 3/4	4 3/4	2 3/4	2 1/2	27 1/2	2 3/4	43 3/4	22 1/2	52 1/2	19 3/4	52	20 3/4	53	52
65S	MM	1410	970	1110	1173	1697	1290	475	546	657	1347	300	1228	175	1324	175	1228	270	111	70	63	698	70	1094	572	1334	486	1321	511	1347	1321
	INCH	55 1/2	38 1/4	43 3/4	46 1/4	66 3/4	50 3/4	18 3/4	21 1/2	25 3/4	53	11 3/4	48 3/4	6 3/4	52 1/4	6 3/4	48 3/4	10 3/4	4 3/4	2 3/4	2 1/2	27 1/2	2 3/4	43 3/4	22 1/2	52 1/2	19 3/4	52	20 3/4	53	52



**Three-Year Limited Warranty on Parts.** For the first three (3) years from the date of purchase, when this commercial appliance is installed, maintained, and operated according to the instructions attached to or furnished with the product. Maytag® Commercial Laundry brand of Whirlpool Corporation (hereafter "Maytag") will pay for factory-specified parts or original equipment manufacturer parts to correct defects in materials or workmanship.

**Fourth- and Fifth-Year Limited Warranty on Certain Parts.** In the fourth year and fifth years from the date of purchase, Maytag will pay for the following washer parts: the outer shell, drum and shaft assembly, inner welded frame, and bearings and seals. Visit [maytagcommerciallaundry.com](http://maytagcommerciallaundry.com) for warranty details.

MODEL	MYS20PN	MYS30PN	MYS40PN	MYS55PN	MYS65PN
<b>MOTOR</b>					
Size – HP	1.0	2.0	3.0	4.0	4.0
<b>CAPACITY</b>					
Cylinder Volume – cu. ft. (liters)	2.58 (73)	4.61 (131)	6.04 (171)	8.14 (230)	9.25 (262)
Cylinder Diameter – in. (mm)	20.9 (530)	24.4 (620)	29.5 (750)	29.5 (750)	29.5 (750)
Cylinder Depth – in. (mm)	13.9 (352)	17.9 (454)	16.2 (411)	21.6 (548)	24.4 (621)
Dry Load Capacity – lb. (kg)	20 (9)	30 (14)	40 (18)	55 (25)	65 (30)
<b>EXTRACT FORCE</b>					
Maximum Extract Force (G-force)	400	400	400	400	350
<b>CONNECTIVITY</b>					
USB Programmability	Yes	Yes	Yes	Yes	Yes
Maytag Connect 360™ Technology* Ready	Yes	Yes	Yes	Yes	Yes
<b>DIMENSIONS</b>					
Depth – in. (mm)	28.4 (721)	34.3 (872)	35.5 (901)	40.8 (1,037)	43.7 (1,110)
Width – in. (mm)	28.0 (710)	31.3 (795)	38.2 (970)	38.2 (970)	38.2 (970)
Height – in. (mm)	43.8 (1,112)	48.1 (1,222)	55.5 (1,410)	55.5 (1,410)	55.5 (1,410)
Door Opening – in. (mm)	12.9 (328)	16.1 (410)	18.1 (459)	18.1 (459)	18.1 (459)
<b>CRATED DIMENSIONS</b>					
Width – in. (mm)	29.8 (756)	33.1 (841)	39.5 (1,003)	39.5 (1,003)	39.5 (1,003)
Depth – in. (mm)	33.4 (854)	39.8 (1,010)	41.0 (1,042)	46.4 (1,178)	49.3 (1,251)
Height – in. (mm)	50.0 (1,270)	54.4 (1,381)	61.4 (1,560)	61.4 (1,560)	61.4 (1,560)
<b>APPROXIMATE WEIGHT</b>					
Uncrated – lb. (kg)	415 (188)	582 (264)	851 (386)	894 (406)	944 (428)
Crated – lb. (kg)	446 (202)	616 (279)	889 (403)	933 (423)	984 (446)
<b>LOADING QUANTITY</b>					
Full Truck (53' / 48')	60 / 54	38 / 34	32 / 28	32 / 28	32 / 28
40' HC Container	42	28	24	22	21
20' Container	18	14	10	10	9
<b>ELECTRICAL CONNECTION OPTIONS (VOLTS/Hz/PHASE)</b>					
W = 120 / 60 / 1 (no electrical heating)	Yes	Yes	No	No	No
T = 208 – 240 / 50 – 60 / 1 (no electrical heating)	Yes	Yes	Yes	Yes	Yes
S = 220 – 240 / 50 – 60 / 1 (no electrical heating)	Yes	Yes	Yes	Yes	Yes
V = 208 – 240 / 50 – 60 / 3	Yes	Yes	Yes	Yes	Yes
N = 380 – 415 / 50 – 60 / 3	Yes	Yes	Yes	Yes	Yes
R = 440 – 480 / 50 – 60 / 3	Yes	Yes	Yes	Yes	Yes
<b>WATER HEATING OPTIONS</b>					
Hot/Cold Water Connections Only	Yes	Yes	Yes	Yes	Yes
Electrical Heating (size of heating elements, kW)	Yes (8)	Yes (12)	Yes (16)	Yes (18)	Yes (18)
Electrical Heating, Optional Alternate Heating Element Size- kW	12	8	N/A	N/A	N/A
Steam Kit Option	No	No	Yes	Yes	Yes
<b>WATER, CHEMICAL DISPENSING, DRAINS</b>					
Number of Water Inlets	2	2	2	2	2
Optional Third Water Inlet	Yes	Yes	Yes	Yes	Yes
Inlet Sizes – in. (mm)	1/2 (13)	1/2 (13)	1/2 (13)	1/2 (13)	3/4 (19)
Operating Pressure – PSI (bar)	20 – 120 (1-8)	20 – 120 (1-8)	20 – 120 (1-8)	20 – 120 (1-8)	20 – 120 (1-8)
Number of Dispenser Compartments	4	4	4	4	4
External Chemical Connections, Number	10	10	10	10	10
Dump Valve Drain, Size – in. (mm)	Yes, 3 (76)	Yes, 3 (76)	Yes, 3 (76)	Yes, 3 (76)	Yes, 3 (76)
Second Dump Valve Drain Option	No	No	No	Yes	Yes
Drain Pump Option	Yes	Yes	Yes	No	No
<b>SOUND PRESSURE-dBA</b>	<70	<70	<70	<70	<70

\*WiFi required. Features subject to change. Details and privacy info at [connect360.maytag.com](http://connect360.maytag.com).

See specific instructions for proper installation.

Because of continuous product improvement, Maytag reserves the right to change specifications without notice.